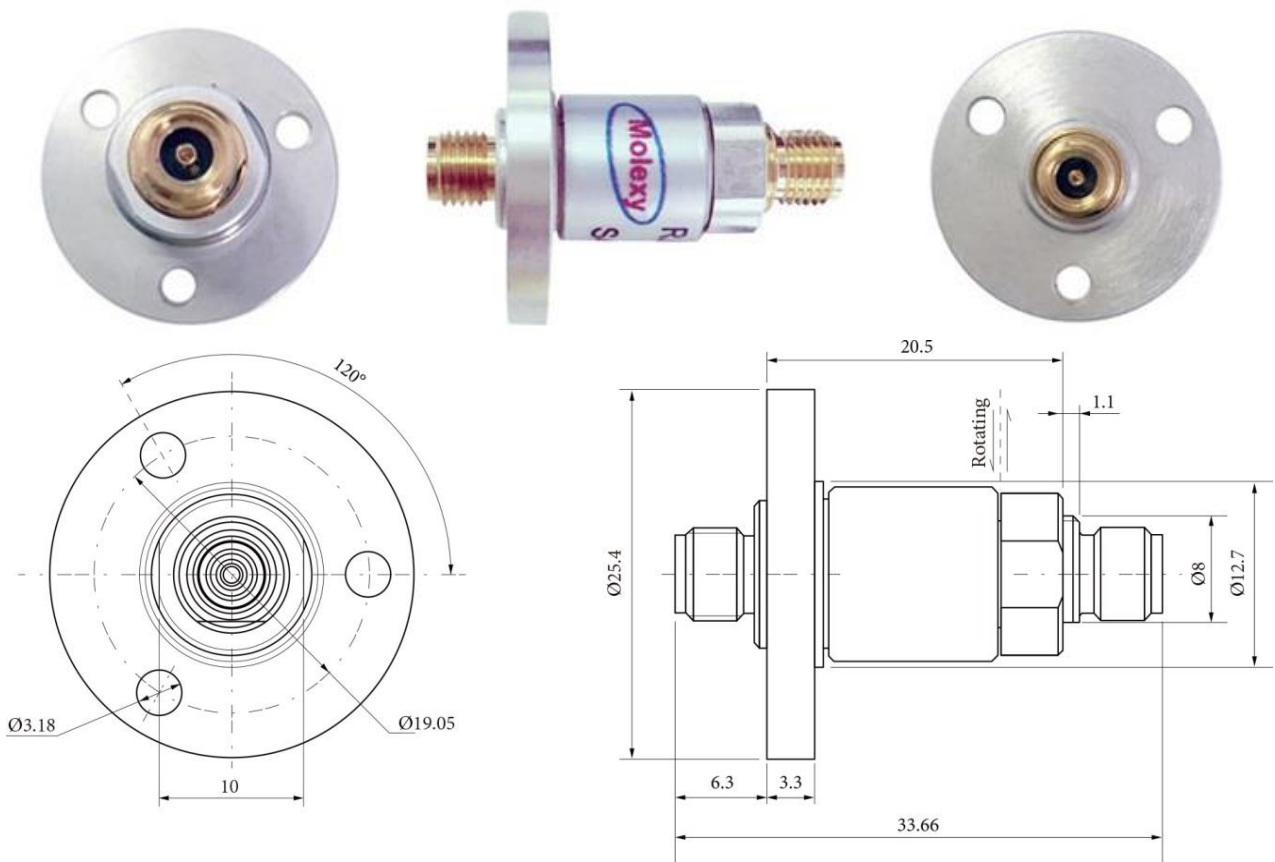


- Coaxial line with 1.5-3.5 female connectors, match with SMA connectors
- Small Size and lightweight, to fulfill your compact design
- DC upto 26.5 GHz working frequency



Specifications

Interface Type	1.5-3.5 Female (50 ohms)	Style	I type
Frequency Range	DC to 26.5 GHz	Phase WOW (degrees max.)	1°
VSWR, max.	1.3 @ 0 to 12 GHz 1.35 @ 12 to 18 GHz 1.7 @ 18 to 26.5 GHz	Insertion Loss, max.	0.3 dB @ 0 to 12 GHz 0.35dB @ 12 to 18 GHz 0.7 dB @ 18 to 26.5 GHz
VSWR WOW	0.05	Insertion Loss WOW	0.05 dB
Peak Power, max.	3000W	Average Power, max.	200W @ 1 GHz 50 W @ 18 GHz 30 W @ 26.5 GHz
Rotating Speed, max.	500 rpm	Life Time, Min.	5 million Revolutions
Starting Torque	2 Ncm Max.	Continuous Rotational Torque	2 Ncm Max.
Axial load on interface, max	± 2 N	Radial load on interface, max.	± 2 N
Nut Material	Brass	Contact Pin Material	Beryllium Copper
Nut Surface Finish	Tin-Zinc-Copper-Alloy	Contact Surface Finish	Gold Plate
Body Material	Copper Alloy	Body Surface Finish	Silver Plate
Weight	0.03 Kg	Marking	Adhesive label
Insulator Material	PTFE / Teflon	IP protection level	IP 60 per EN 60529
Temperature (Ambient Range)	-40 to +70°C (Operation)	Humidity (non-condensing), max.	95% (Operation)
	-50 to +70°C (Storage)		85% (Storage)

Molexy reserves the right to change this Datasheet without notice!